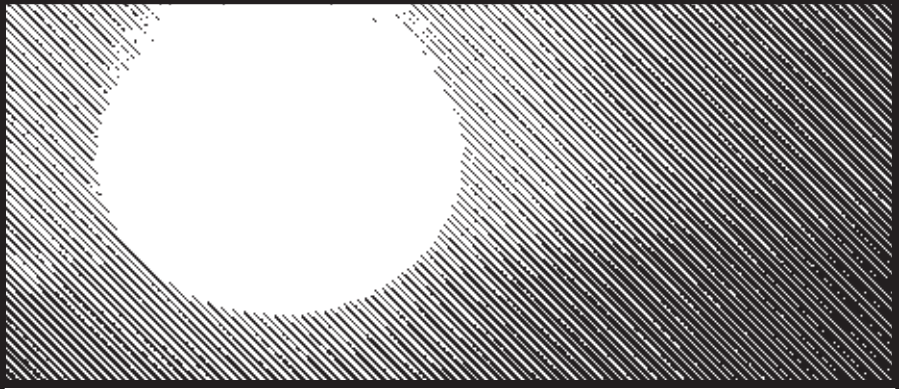


# GUARDIAN<sup>®</sup>



**Guardian<sup>®</sup> Tublift<sup>™</sup>**  
*User Instructions & Warranty*

Model 040-0121AC  
21" Seat Height with Arm Mounted Control

This manual contains important safety instructions. Please read it carefully before using your Guardian Tublift.

## Assembly Instructions

Tools required: 1/2" open end wrench or small adjustable wrench

1. Unpack the Tublift. You should have the following:

- a. Seat assembly and control valve
- b. Cylinder assembly
- c. Base assembly
- d. Plumbing connection

1. Place the base assembly on a table or on the floor. Unwrap the cylinder assembly and insert the round aluminum post at the bottom of the cylinder assembly into the base bushing as shown in Figure 1.

2. Remove the four 5/16" x 1 1/4" bolts and spacers (item A and B in Figure 1) from both sides of the cylinder assembly and position the seat assembly on the cylinder as shown. Loosely install the top (A) bolts with spacers between the seat bracket and cylinder assembly.

3. Locate the drain tube. See Figure 2. It is the shorter tube coming from the elbow on top of the control valve. You will find a retainer clip on this tube. Remove the clip.

With the seat assembly in position, pass one of the bolts through the small hole in the clip and loosely install bolt in the lower position (B) on the cylinder. Loosely install remaining bolt. BEFORE tightening, pass drain tube through the large hole in the clip. Tighten all bolts securely.

Pass the long 3/8" tube between the seat and cylinder and fully insert tubing through the nut and sleeve and into the elbow at top of the cylinder. Making sure it's fully inserted, tighten the nut. **DO NOT OVERTIGHTEN.**

Figure 1

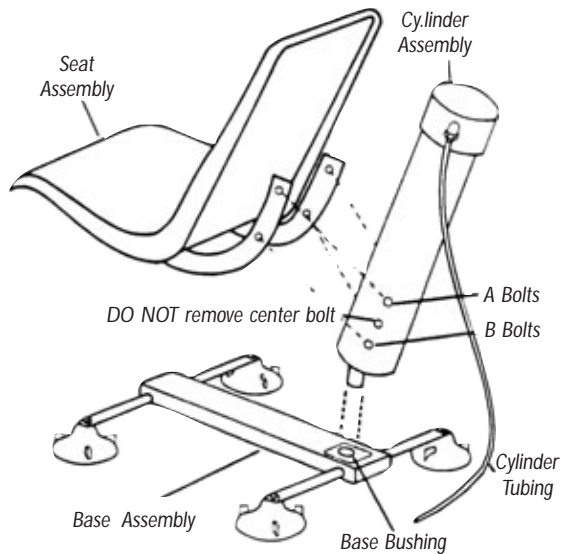
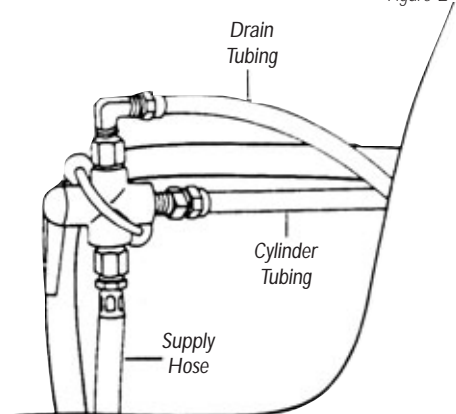


Figure 2



## Plumbing Connections

**NOTE:** It is recommended to use a thread sealant or Teflon tape on plumbing connections. Either of these can be obtained at your local hardware store.

Your Guardian Tublift comes complete with both a shower connection and a spout connection. If the bath has a shower, you **MUST** use a shower connection (Figure 3). If there is no shower, use the spout connection (Figure 4).

**Connecting to the shower:** Remove the existing shower head (D) and install provided connection (E) onto the shower pipe. Screw the shower head back on to the end of the connection. The Tublift supply hose will connect to the side of the connection.

**Connecting to the tub spout:** Remove the existing spout. Install the provided spout connection. The Tublift supply hose will connect to the nipple on the underside of the spout.

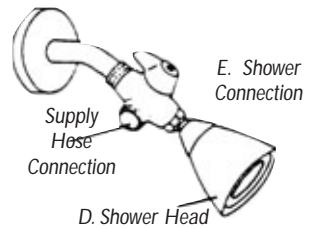


Figure 3

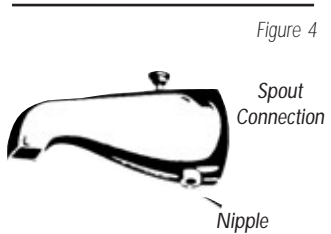


Figure 4

## Tublift Installation

1. Lift the seat/cylinder assembly out of the base and set aside.
2. Place the base into the tub as far to the rear as possible (Figure 5). Wet the suction cups.
3. Depress the suction cups, applying firm pressure to each one.
4. Mount the seat/cylinder assembly into the base bushing as shown in Figure 1.
5. Route the supply hose so that it will not interfere with the operation of the Tublift, and connect it to the plumbing connection.

### ⚠ WARNING!

**Suction Cups may not adhere securely to tubs with a textured bottom. Use of an unstable Tublift can result in injury.**

Top View Base Installation in Tub

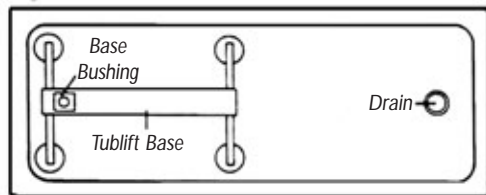


Figure 5

## Tublift Operation

1. Turn on the water.
2. **If Tublift is connected to the SPOUT:** Pull up on the knob on top of the spout and go to instruction 3.

**If Tublift is connected to the SHOWER:**

- A. Make sure the diverter is turned toward the supply hose to the Tublift.
- B. Turn on the shower as you would before installation and go to instruction 3.

## Tublift Operation (continued)

3. Turn the valve on the Tublift to the "UP" position and the seat will rise. (See notes below).
4. Turn the control valve to the "DOWN" position and the seat will slowly descend. You may control the rate of descent with small valve adjustments. (See notes below).

### Please note for Tublift Operation:

1. If you have installed a model with a hand-held shower you will note that it drips when in the off position. This is a safety feature and requirement - not a defect. (A.S.S.E. Standard #1014).
2. On models with optional hand-held shower (see separate instruction sheet), make sure the hand-held shower is in the "OFF" position when raising or lowering the seat.
3. It is recommended to operate the Tublift through a few up and down cycles to "Bleed" any air from the cylinder.
4. Leave the valve in the "UP" position when moving on or off the Tublift.
5. Keep control valve set at 90° when using hand-held shower with seat in up position.

**⚠ WARNING! Do not exceed weight capacity of 200 lbs.**

**NOTE: This product contains natural rubber latex.**

### For better operation:

1. Leave the Tublift control valve in the "UP" position when moving on or off the lift.
2. Lower the Tublift and turn off the water when not in use.
3. Keep the area below the Tublift clear of obstructions, including the Tublift supply hose.
4. Do not use bath or other oils in the bath water. Oils will have an adverse affect on the natural rubber suction cups.
4. In addition to rinsing the Tublift after each bath, occasionally clean the Tublift with a regular household cleaning solution. DO NOT use petroleum base solvents.
5. DO NOT lubricate the Tublift with petroleum products. Should lubrication ever be necessary, use silicon based lubricants.

## Limited Warranty

Your Guardian brand product is warranted to be free of defects in materials and workmanship for one year after purchase by the original consumer. This warranty does not extend to non-durable components, such as rubber accessories and upholstery materials, which are subject to normal wear and replacement. In the event of a defect covered by this warranty, we will, at our option, repair or replace the product, provided that you return it, postage prepaid. For warranty service please contact the retailer where the product was purchased or Customer Service at 1-800-333-4000.

If you have a question about your Guardian product or this warranty, please call us toll-free at 800-333-4000. This warranty gives specific legal rights, and you may have other rights, which vary from state to state.



Manufactured for:  
**Sunrise Medical Inc.**  
 7477 E. Dry Creek Parkway  
 Longmont, CO 80503

1-800-333-4000  
 In Canada 1-800-263-3390  
[www.sunrisemedical.com](http://www.sunrisemedical.com)  
 Made in Taiwan