

# AmeriGlide **ULTRA Heavy Duty DC** Stair Lift

## Unit Dimensional Drawing

### SPECIFICATIONS

**Rated Load:** 375 pounds (170kg)

**Speed:** 19 fpm (.10 ms)

**Travel:** 32' max. (9.75m) (track length)

**Power Supply:** 115 VAC, 60 Hz, 3-wire grounded outlet

**Incline Limits:** 25° to 45° (and up to 55° with local jurisdiction approval)

ETL and cETL Listed

### STANDARD EQUIPMENT

**Drive System:** Rack and pinion

**Motor:** .5 hp, 24 VDC with self-locking drive system, reversible

### Control System:

Battery Operated System (BOS) with SoftStart / SoftStop control board with diagnostic LEDs with two 12-volt maintenance free batteries. Integrated charge stations at top and bottom, charge fault alarm, low battery indication through audible alarm, reduced speed and LED indication, energy saving sleep mode when not in use

**Controls:** Constant pressure handheld pendant control (with pendant holster) and 2 wireless remote controls (infra-red).

**Brake:** Self-locking worm gear

**Track:** 5 1/2" wide extruded aluminum

**Track Length:** 16' stock or custom cut

**Track Finish:** Unfinished aluminum

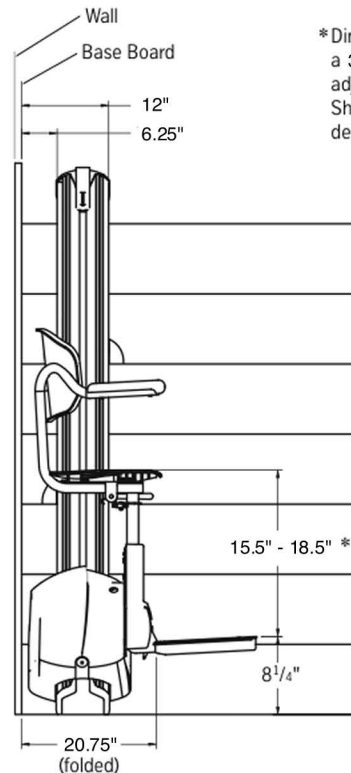
**Upholstery:** Oatmeal herringbone fabric or taupe or misty gray vinyl over padded seat and seat back

**Seat:** 21" wide seat with two fixed arms, folding seat, and locking swivel seat

### Safety Devices:

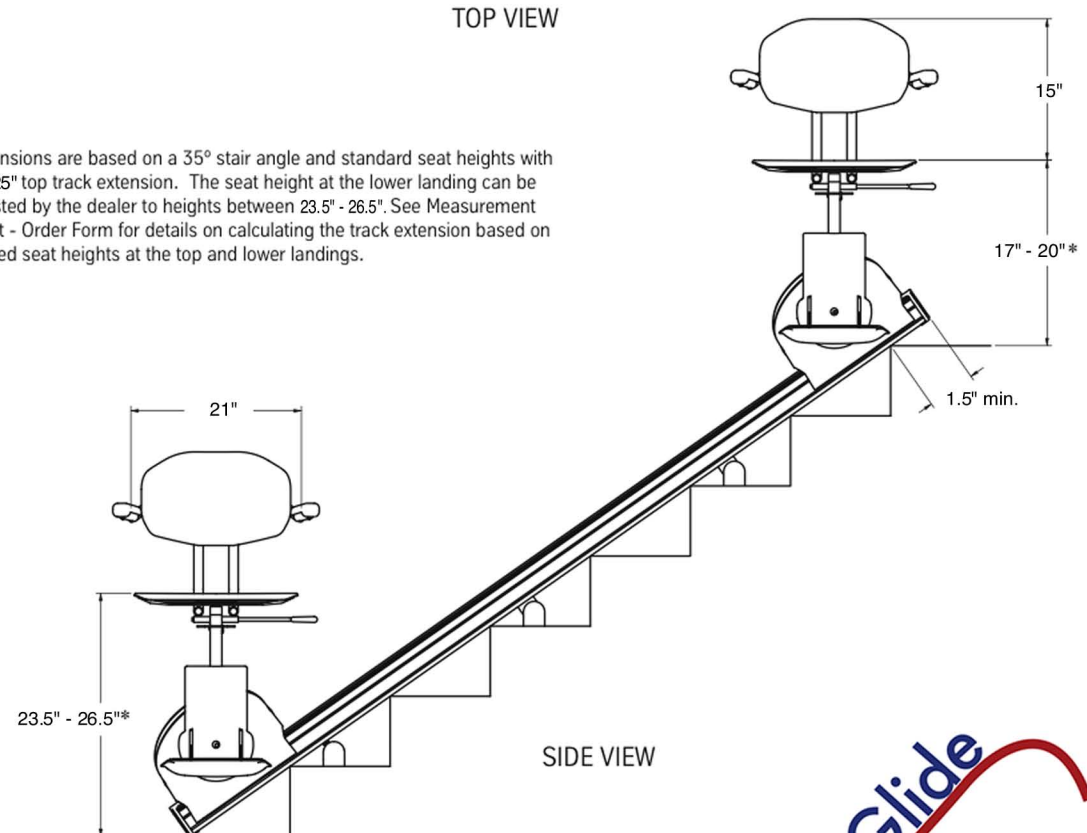
Footrest obstruction sensor  
Swivel seat cut-off switch  
Final limits  
Seat belt

**Warranty:** Five years on drive train and two years on all component parts



END VIEW

\*Dimensions are based on a 35° stair angle and standard seat heights with a 3.25" top track extension. The seat height at the lower landing can be adjusted by the dealer to heights between 23.5" - 26.5". See Measurement Sheet - Order Form for details on calculating the track extension based on desired seat heights at the top and lower landings.



TOP VIEW

SIDE VIEW