

AmeriGlide **ULTRA Standard** and **ULTRA Deluxe AC** Stair Lifts

Unit Dimensional Drawing

SPECIFICATIONS

Rated Load: 300 lbs (135kg)

Speed: 19 fpm (.10 ms)

Travel: 32' max. (9.75m) (track length)

Power Supply: 115 VAC, 60 Hz, 3-wire grounded outlet

Incline Limits: 25° to 45° (and up to 55° with local jurisdiction approval)

ETL and cETL Listed

STANDARD EQUIPMENT

Drive System: Rack and pinion

Motor: .5 hp, 24 VDC with self-locking drive system, reversible

Control System:

A/C with SoftStart / SoftStop control board with diagnostic LED's

Controls: Constant pressure handheld pendant control (with pendant holster) and 2 wireless remote controls (infra-red).

Brake: Self-locking worm gear

Track: 5 1/2" wide extruded aluminum

Track Length: 16' stock or custom cut

Track Finish: Unfinished aluminum

Upholstery: ULTRA Standard - unupholstered
ULTRA Deluxe - Desert sand fabric or tan vinyl over lightly padded seat and seat back

Seat: 18 1/4" wide seat with two fixed arms, seat belt, 70° locking swivel at upper and lower landings

Safety Devices:

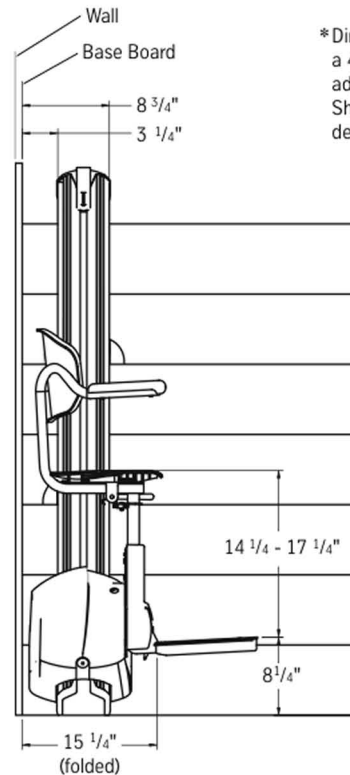
Footrest obstruction sensor

Swivel seat cut-off switch

Final limits

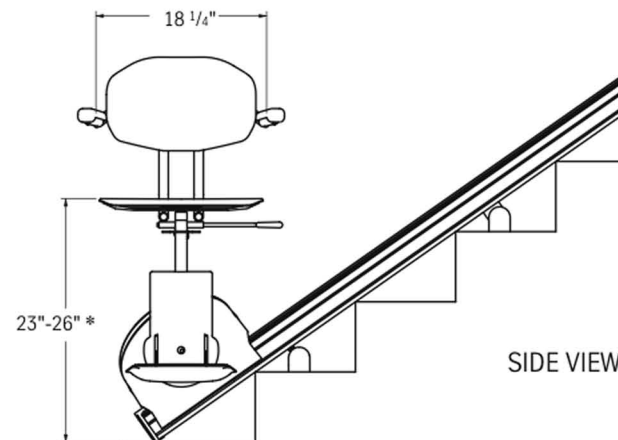
Seat belt

Warranty: Five years on drive train and two years on all component parts

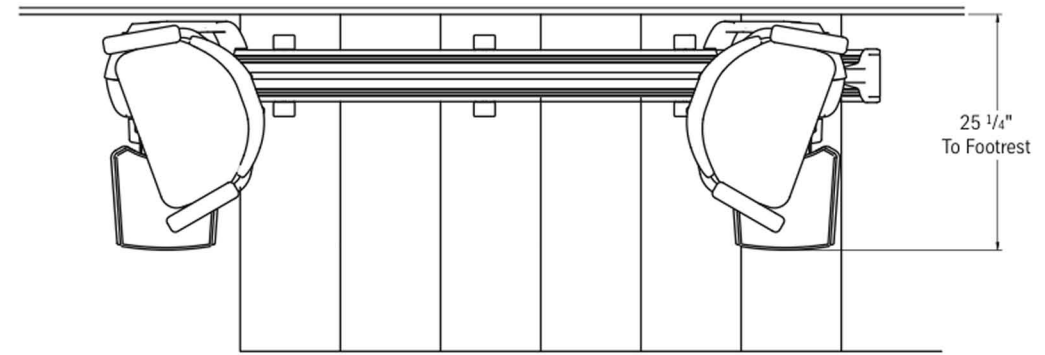


END VIEW

*Dimensions are based on a 35° stair angle and standard seat heights with a 4 1/8" top track extension. The seat height at the lower landing can be adjusted by the dealer to heights between 23" - 26". See Measurement Sheet - Order Form for details on calculating the track extension based on desired seat heights at the top and lower landings.



SIDE VIEW



TOP VIEW

