

# AmeriGlide **ULTRA Premier AC** Stair Lift

## Unit Dimensional Drawing

### SPECIFICATIONS

**Rated Load:** 300 lbs (135kg)

**Speed:** 19 fpm (.10 ms)

**Travel:** 32' max. (9.75m) (track length)

**Power Supply:** 115 VAC, 60 Hz, 3-wire grounded outlet

**Incline Limits:** 25° to 45° (and up to 55° with local jurisdiction approval)

ETL and cETL Listed

### STANDARD EQUIPMENT

**Drive System:** Rack and pinion

**Motor:** .5 hp, 24 VDC with self-locking drive system, reversible

### Control System:

A/C with SoftStart / SoftStop control board with diagnostic LED's

**Controls:** Constant pressure handheld pendant control (with pendant holster) and 2 wireless remote controls (infra-red).

**Brake:** Self-locking worm gear

**Track:** 5½" wide extruded aluminum

**Track Length:** 16' stock or custom cut

**Track Finish:** Unfinished aluminum

**Upholstery:** Oatmeal herringbone fabric or taupe or misty gray vinyl over padded seat and seat back

**Seat:** 18" wide seat with folding arms, folding seat, and locking swivel seat

### Safety Devices:

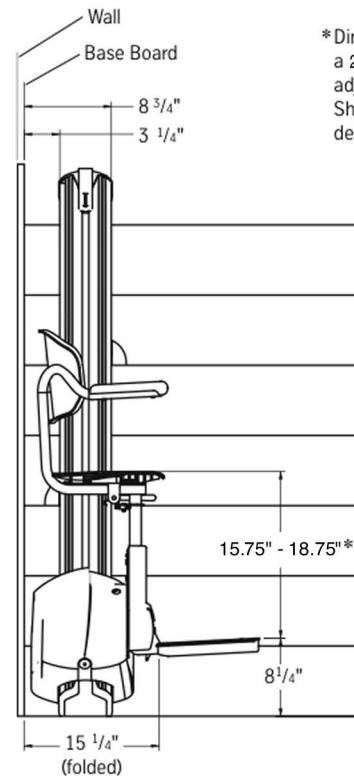
Footrest obstruction sensor

Swivel seat cut-off switch

Final limits

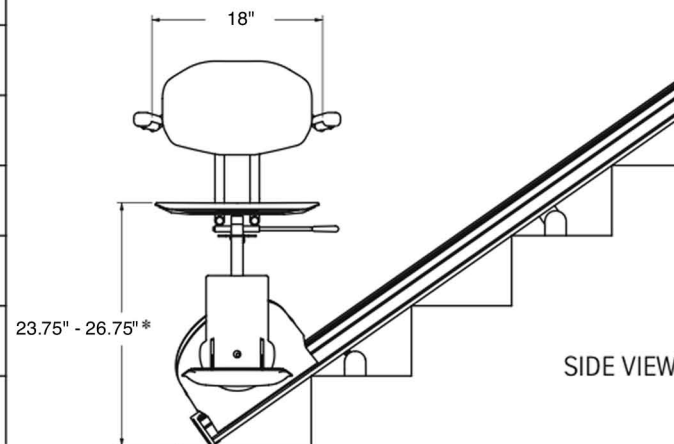
Seat belt

**Warranty:** Five years on drive train and two years on all component parts

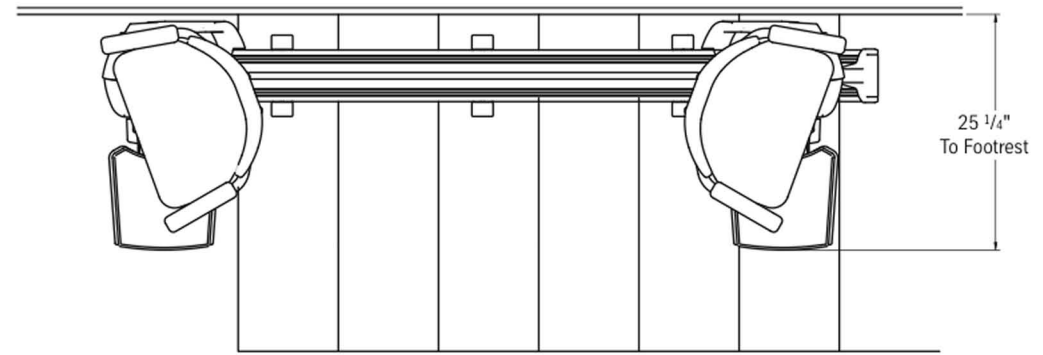


END VIEW

\*Dimensions are based on a 35° stair angle and standard seat heights with a 2.375" top track extension. The seat height at the lower landing can be adjusted by the dealer to heights between 23.75" - 26.75". See Measurement Sheet - Order Form for details on calculating the track extension based on desired seat heights at the top and lower landings.



SIDE VIEW



TOP VIEW

