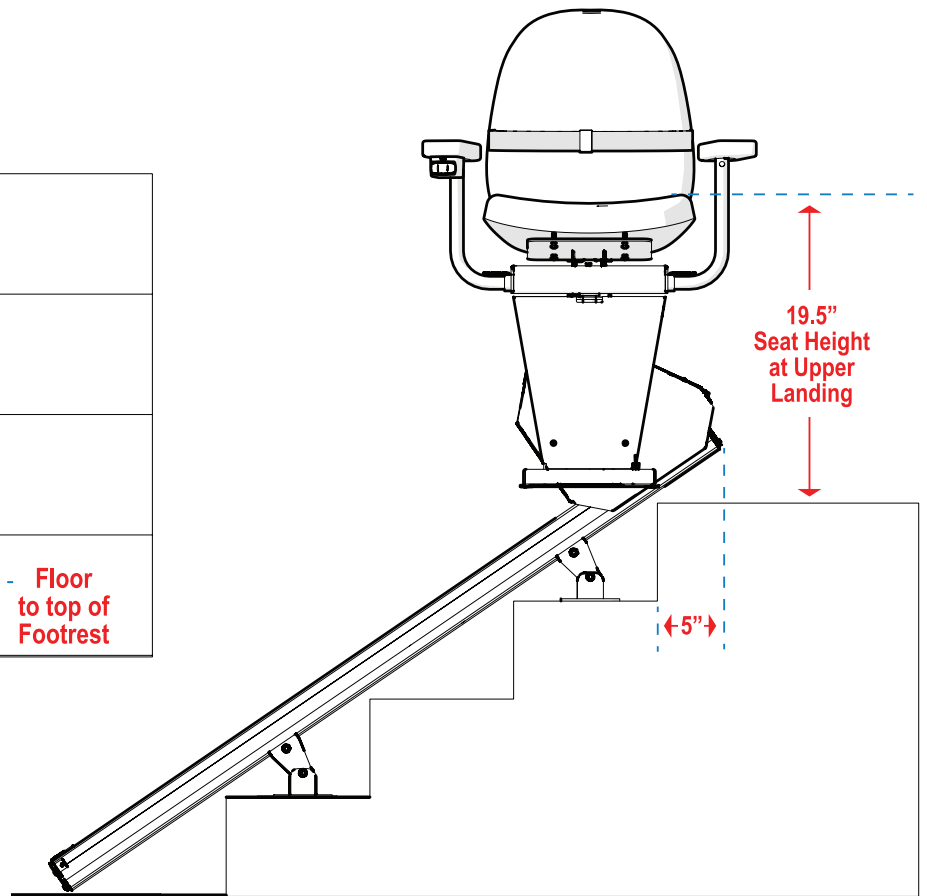
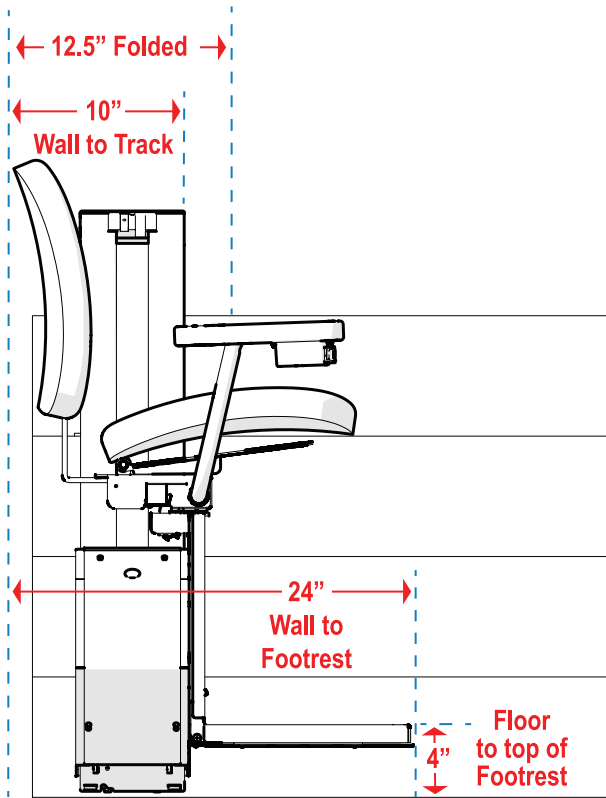
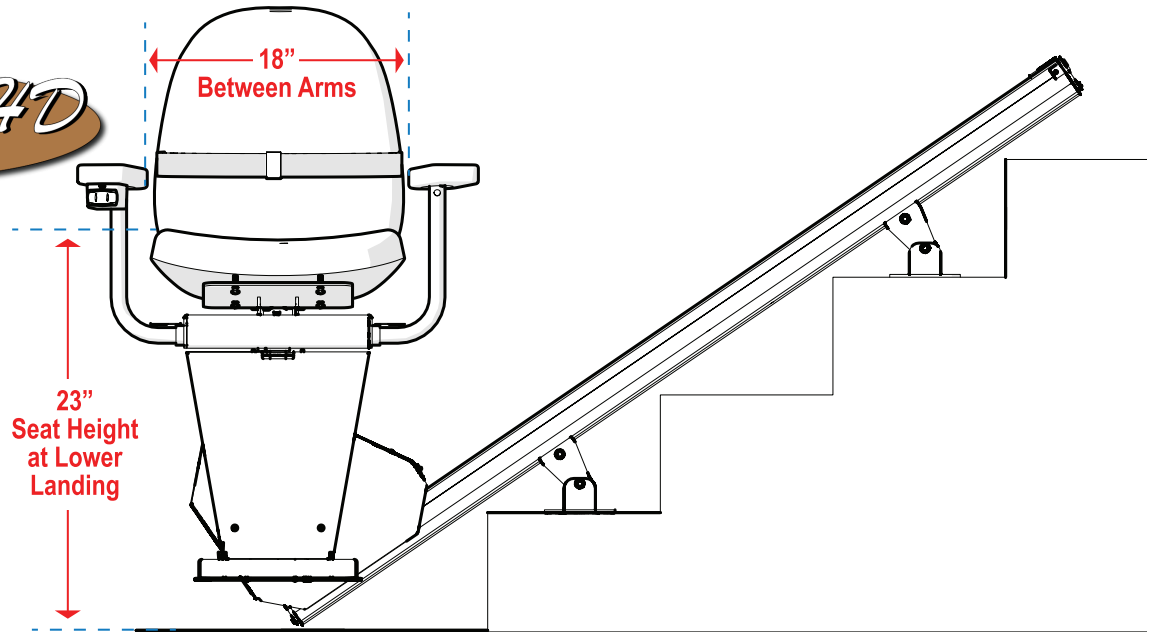


Technical Information



Dimensions subject to change without notice.

Staying Home Corporation • PO Box 37, Harrisonville, MO 64701 • info@stayinghome.com • 877-378-4275

# Crest HD Stairlifts Specifications

## Features:

- ETL listed A17.5 / B44 - A18.1
- Rack & pinion drive
- Interior gear rack
- 25 to 45 degree angle applications
- Non-handed units stock able
- Quick adjustment limit cams
- Folds to 12.5" from the wall
- Chassis weight 40 lbs.
- Track weight for 8' section 36 lbs.
- Wireless seat control
- Wireless remote controls for upper & lower landings
- 8' & 6'-6" track sections available
- Chassis mounted auxiliary control switch
- Obstruction audio beep notification
- Battery operated system
- Low profile stair-hugger track & bracket design - 2-1/2" track rest on stairs
- Constant pressure controls
- 3" to 6" horizontal extension at top landing (depending on angle)
- 90 degree swivel seat assembly at top landing
- ANODIZED aluminum rail
- Black, Gray, Beige or Brown upholstery
- Seat belt
- Folding arm rest